

Sink S1000

Kitchen Sinks

Code: 1279 060



DETAILS

Edge/Installation Type Standard (8 mm Edge)

Finish Foster brushed

Material AISI 304 stainless steel

Texture Foster brushed

Base 80 cm

Dimensions 790 x 500 mm

Standard fittings Fixing hooks, gasket, drain, overflow and siphon, boxed packing

Mixer holes 1 standard hole

Built-in hole 770x480 mm

Drainer No

Width 79 cm

Bowl dimension 360x400mm

Number of bowls 2 bowls

Waste fitting 3,5" drain

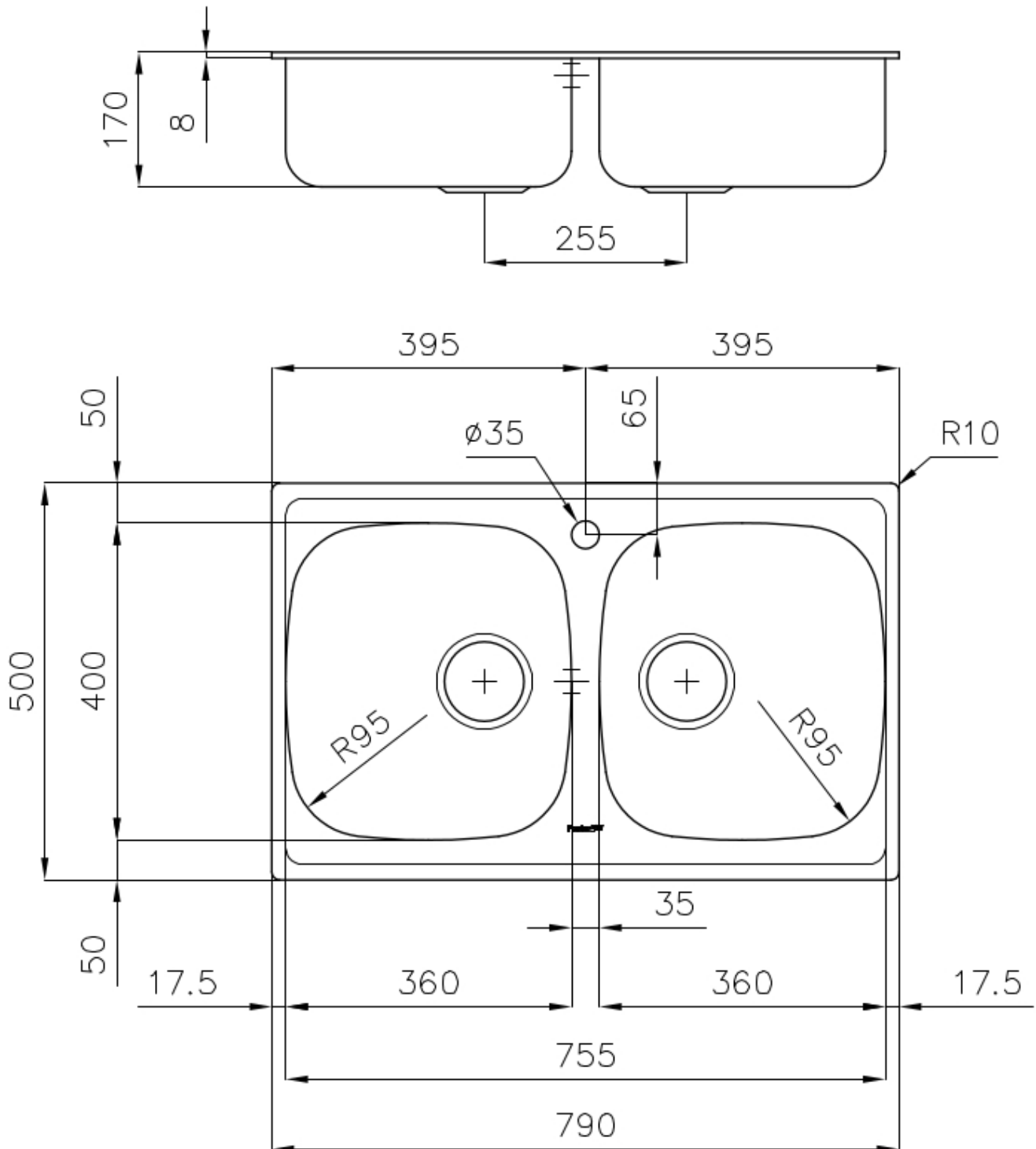
FEATURES

Added value Foster uses steel thicknesses higher than those used on average by other manufacturers. This is how, thanks to our long experience, we know how to make sinks of superior quality and with a better resistance to aging.

Basket 3,5" waste fitting The drain is equipped with a large 3.5" drain, with the practical basket cap that prevents the discharge of solid parts.

Sliding brackets

TECHNICAL DATA



OPTIONAL ACCESSORIES



HDPE Chopping board
8657 001



Stainless steel basket
8611 000

RECOMMENDED PAIRINGS



Mixer Tap Lorenzo
8466 000



Mixer Tap S1000 - RO
8443 002